

# Aquasana Installation & Operation Instructions

## 1 Unpack Contents.

### Package contains:

- Filter system assembly; which includes the upper filter body and threaded cartridge already assembled.
- Deluxe Aquasana shower head.
- Instructions and warranty.
- Water 4 Life auto-ship form.

## 2 Remove the plastic shipping plugs

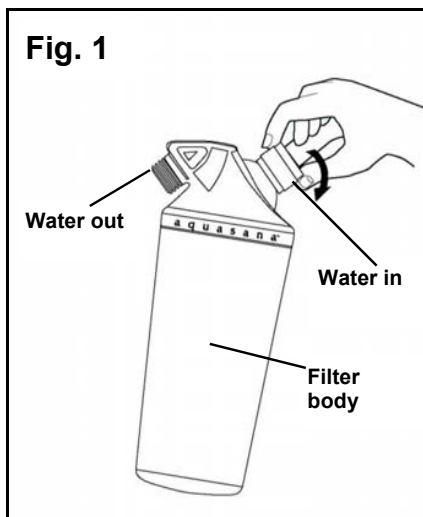
from the inlet and outlet of the filter system and make sure the white rubber washer is in place in the chrome swivel inlet connector.

## 3 Remove your existing shower head

from the shower supply pipe.

## 4 Attach the assembled filter system

to the supply pipe as shown in **figure 1**. While holding the shower filter in a stationary position, thread the chrome swivel collar onto the shower pipe by turning clockwise. Tighten the connector finger tight and then, using a pair of pliers, turn an additional 1/4 turn or until the filter system retains a firm position. **Over tightening may cause the washer to compress into the inside of the shower pipe, resulting in leakage around connector. If this occurs, remove swivel collar from pipe, reinstall the washer and reconnect to the shower pipe.**



## 5 Flush and activate the filter

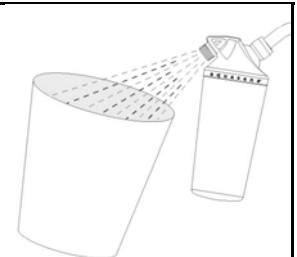
Once the filter unit is installed in the proper position it is time to flush and activate the filter cartridge.

## 6 Use cold water

for the initial flushing, see **“Note” below for flushing precaution**. After the water has turned clear, adjust the temperature up to a normal shower temp. Notice that there is a slight delay in temperature adjustment due to the volume of water in the filter; take this delay into account when making temperature adjustments. **Make slight adjustments and wait 30 seconds for temperature change**. Run water until clear and then turn off and then back on several times. Repeat this procedure until the initial surge of water is free of discoloration.

### Note

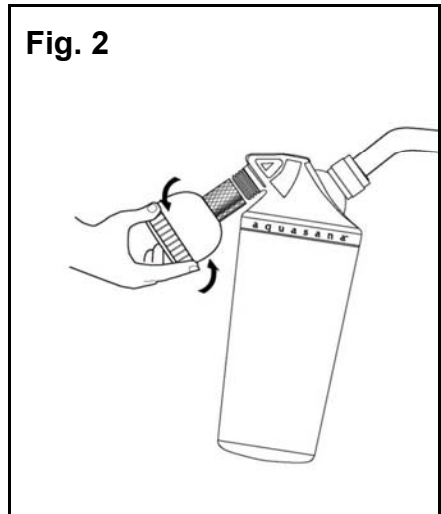
The initial surge of water will be discolored due to carbon fines and may soil your shower stall. It is recommended that you capture the first 1-2 gallons of water in a bucket. This carbonized water is very beneficial to plants and the environment and can be discarded in a plant bed or down the drain.



## 7 Attach the shower head

to the filter body as shown in figure 2.

**Enjoy the benefits of showering in healthy, chlorine free water!**



**Flow rate, chlorine reduction and health benefits.**

The Aquasana Deluxe Shower Filtration System is designed to produce the highest quality water possible with the least amount of pressure loss. **Aquasana's patented 2 stage filter cartridge** substantially reduces chlorine and other chemicals present in tap water. Some water volume is lost in the filtering process that will result in 20% to 25% savings in water and heating expense.

In compliance with California State law, this system has a maximum flow rate of 2.5 gallons per minute. The Aquasana adjustable shower head can be adjusted to the desired pressure while still conserving water usage.

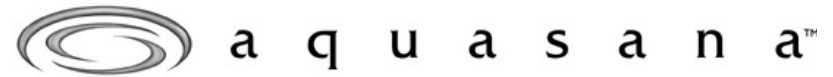
The filter cartridge will filter up to 10,000 gallons of water and should be replaced every 6 months per instructions. Enclosed with this product is the Aquasana "Water 4 Life" auto-ship form for added savings and convenience.

**Removing chlorine from shower water offers very noticeable cosmetic benefits. Chlorine robs our skin and hair of the natural oils that retain moisture and elasticity. Without the harsh effects of chlorine you will experience softer, healthier skin and hair... like showering in natural spring water.**

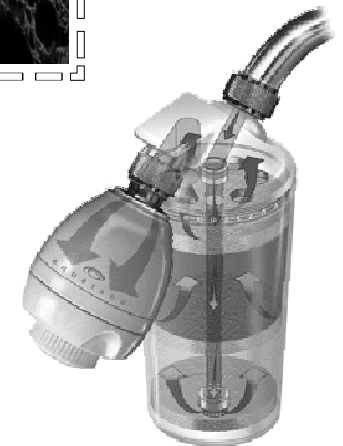
**Other than the immediate cosmetic affects, shower filtration offers significant health protection and benefits.** Inhalation of chlorine with steam and skin absorption while showering have been linked to breast, colon and bladder cancer as well as asthma. Chlorine is a poison, and while its effects are tolerated in order to prevent water borne disease from bacteria, it is well documented and understood that it has dramatic adverse health effects. See [WaterWarning.com](http://WaterWarning.com) or [Aquasana.com](http://Aquasana.com) for specific data and reports on this subject.

**Thank You For Choosing  
Aquasana!**

**Sun Water Systems, Inc.  
6310 Midway Rd  
Haltom City, TX 76117**



**AQ-4100 Deluxe Shower Filtration System**



**You'll be amazed at the  
difference!**